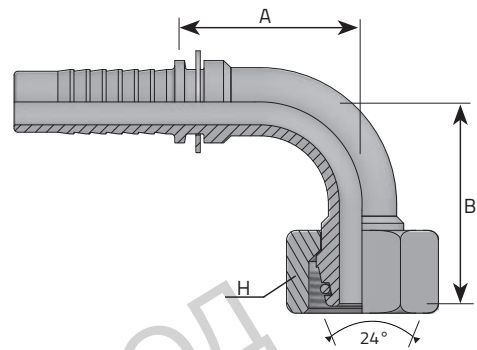




## METRIC FEMALE 24° CONE - 90° ELBOW - L TYPE (1)

FEMMINA 90° METRICA DKOL CON O-RING 24°  
 FEMELLE 90° MÉTRIQUE CÔNE 24° AVEC O-RING - SÉRIE L  
 DKO-L 90° BOGEN INNENGEWINDE MIT O-RING 24° KONUS  
 HEMBRA GIRATORIA A 90° MÉTRICA CON O-RING CONO 24° - SERIE L

\* CRIMPED NUT  
 DADO PINZATO



| Code          | Tube |       | Thread |           | Dimensions |    |      |      | Pressure |      |
|---------------|------|-------|--------|-----------|------------|----|------|------|----------|------|
|               | D.N. | Hose  | Diam   | T         | D          | H  | B    | A    | Bar      | Psi  |
|               | Inch |       | mm     | mm        | mm         | mm | mm   | mm   |          |      |
| F90E0312L6    | -3   | 3/16" | 4.8    | M12 x 1.5 | 6          | 14 | 31.5 | 29.5 | 250      | 3626 |
| F90E0314L8    | -3   | 3/16" | 4.8    | M14 x 1.5 | 8          | 17 | 31.5 | 29.5 | 250      | 3626 |
| * F90E0412L6  | -4   | 1/4"  | 6.4    | M12 x 1.5 | 6          | 17 | 31.5 | 29.5 | 250      | 3626 |
| F90E0414L8    | -4   | 1/4"  | 6.4    | M14 x 1.5 | 8          | 17 | 31.5 | 29.5 | 250      | 3626 |
| F90E0416L10   | -4   | 1/4"  | 6.4    | M16 x 1.5 | 10         | 19 | 32.5 | 29   | 250      | 3626 |
| F90E0418L12   | -4   | 1/4"  | 6.4    | M18 x 1.5 | 12         | 22 | 30.5 | 27   | 250      | 3626 |
| * F90E0514L8  | -5   | 5/16" | 7.9    | M14 x 1.5 | 8          | 19 | 36.7 | 31.5 | 250      | 3626 |
| F90E0516L10   | -5   | 5/16" | 7.9    | M16 x 1.5 | 10         | 19 | 32.5 | 31   | 250      | 3626 |
| F90E0518L12   | -5   | 5/16" | 7.9    | M18 x 1.5 | 12         | 22 | 37   | 29   | 250      | 3626 |
| * F90E0616L10 | -6   | 3/8"  | 9.5    | M16 x 1.5 | 10         | 19 | 38   | 33   | 250      | 3626 |
| F90E0618L12   | -6   | 3/8"  | 9.5    | M18 x 1.5 | 12         | 22 | 37.5 | 35.5 | 250      | 3626 |
| F90E0622L15   | -6   | 3/8"  | 9.5    | M22 x 1.5 | 15         | 27 | 42   | 34   | 250      | 3626 |
| * F90E0818L12 | -8   | 1/2"  | 12.8   | M18 x 1.5 | 12         | 22 | 49   | 39   | 250      | 3626 |
| F90E0822L15   | -8   | 1/2"  | 12.8   | M22 x 1.5 | 15         | 27 | 44   | 39.5 | 250      | 3626 |
| F90E0826L18   | -8   | 1/2"  | 12.8   | M26 x 1.5 | 18         | 32 | 46.5 | 39.5 | 160      | 2320 |